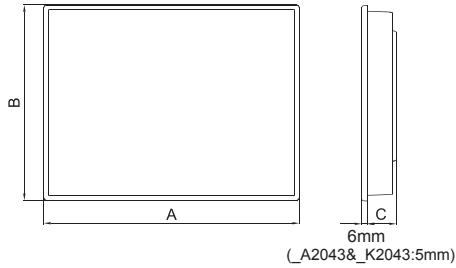


_A2 Series HMI Panels / _K2 Serial Series HMI Panels

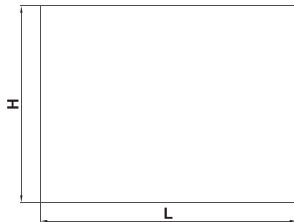
_A2系列人機介面 / _K2序列型人機介面

_A2系列人機界面 / _K2串口型人機界面

Outlet Dimension / 外觀尺寸 / 外觀尺寸



Cut Out Dimension / 開孔尺寸 / 開孔尺寸

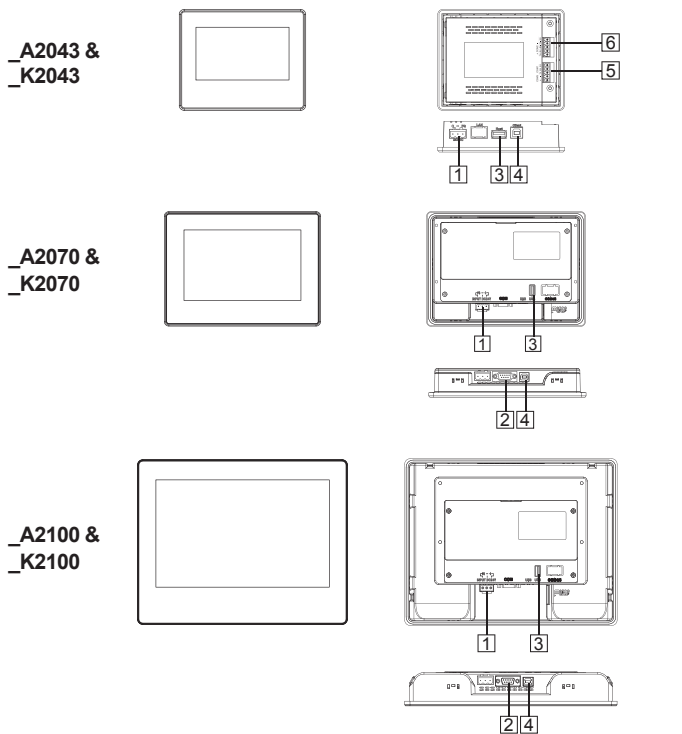


Model	A	B	C*	L	H
_A2043 & _K2043	129mm/5.08"	103mm/4.06"	33mm/1.30"	118.5mm/4.67"	92.5mm/3.64"
_A2070 & _K2070	203.5mm/8.01"	148.5mm/5.85"	31.5mm/1.24"	191.5mm/7.54"	138mm/5.43"
_A2100 & _K2100	270.8mm/10.66"	212.8mm/8.38"	37mm/1.46"	259mm/10.20"	201mm/7.91"

* _A2043&_K2043:Including Terminal Block Height/ 包含5Pin端子高度 / 包含5Pin端子高度
* _A2043&_A2070&_K2070&_K2100:
Including Power Connector Height / 包含電源端子高度 / 包含電源端子高度

1

Function View / 功能配置圖 / 功能配置圖

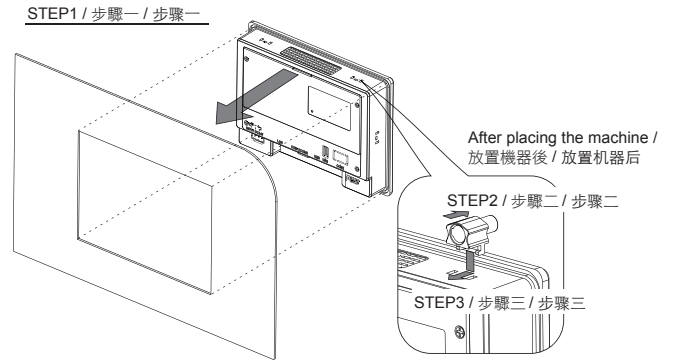


- 1 Power Connector / 電源端子 / 電源端子
- 2 D-Sub 9Pin Female / D-Sub 9Pin 母座 / D-Sub 9Pin 母座
- 3 USB Host / USB 主接口 / USB 主接口
- 4 USB Client / USB 從接口 / USB 從接口
- 5 COM1&3 5Pin Terminal / COM1&3 5Pin 端子接頭 / COM1&3 5Pin 端子接頭
- 6 COM2 5Pin Terminal / COM2 5Pin 端子接頭 / COM2 5Pin 端子接頭 / COM2&4 5Pin Terminal(Optional) / COM2&4 5Pin 端子接頭 (選購) / COM2&4 5Pin 端子接頭(選購)

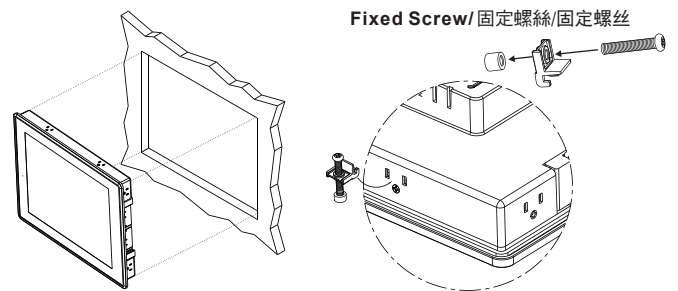
3

Installation Drawing / 安裝示意圖 / 安裝示意圖

Plastic Locks / 塑膠 Locks / 塑膠 Locks



Metal Locks / 金屬 Locks / 金屬 Locks

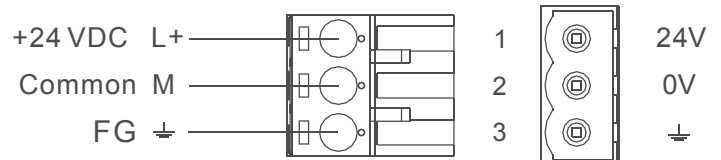


Tighten each fixing screw until the bezel corner gets in contact with the panel.
使用固定螺絲固定時請注意不要鎖太緊，以避免壓迫造成其他問題 / 使用固定螺絲固定時請注意不要鎖太緊，以避免壓迫造成其他問題
Suggested torque for fixing screws: 0.25~0.34Nm / 固定螺絲扭力建議值:0.25~0.34Nm

2

Power Supply / 電源供應 / 電源供應

Powered by a Low Voltage / Limited Energy power source.
以低電壓提供電力/限制能源電源 / 以低电压提供电力/限制能源电源



Do not open the rear cover of the panel when power is applied.
電源送電時請勿開啟後殼 / 电源送电时请勿开启后壳

Be sure that the power supply has enough power capacity for the operation of the equipment.
送電時請確定電源設備的電源能力符合產品硬體規範。 / 送电时请确定电源设备的电源能力符合产品硬件规范。

Dispose of batteries / 電池處置 / 電池處置



Dispose of batteries according to local regulations.
廢棄電池的處置請依據使用者所在地區之規範辦理廢棄電池處置方式。 / 废弃电池的处置请依据使用者所在地对废弃电池处置方式办理。

4

Connections / 腳位圖 / 脚位图

_A2043 & _K2043	20ST/ 30ST/ 40ST (選購/選購/ Optional)	COM1 & COM3 5 Pin Terminal / 5 Pin 端子接頭 / 5 Pin 端子接頭	<p>RS-232(COM1) RS-485(COM3)</p>
	30ST	COM2 5 Pin Terminal / 5 Pin 端子接頭 / 5 Pin 端子接頭	<p>RS-422 RS-485</p>
	40ST (選購/選購/ Optional)	COM2 & COM4 5 Pin Terminal / 5 Pin 端子接頭 / 5 Pin 端子接頭	<p>RS-485(COM2) RS-485(COM4)</p>

_A2070 & _A2100 & _K2070 & _K2100	20ST (選購/選購/ Optional)	COM1 & COM2 DB-9-Female / DB-9 母座 / DB-9 母座		<table border="1"> <thead> <tr> <th>Pin</th> <th>Description</th> </tr> </thead> <tbody> <tr><td>1</td><td>RS422 TXD+ / RS485 + (COM2)</td></tr> <tr><td>2</td><td>RS232 RXD (COM1)</td></tr> <tr><td>3</td><td>RS232 TXD (COM1)</td></tr> <tr><td>4</td><td>RS422 RXD+ (COM2)</td></tr> <tr><td>5</td><td>SG</td></tr> <tr><td>6</td><td>RS422 TXD- / RS485 - (COM2)</td></tr> <tr><td>7</td><td>N/A</td></tr> <tr><td>8</td><td>N/A</td></tr> <tr><td>9</td><td>RS422 RXD- (COM2)</td></tr> </tbody> </table>	Pin	Description	1	RS422 TXD+ / RS485 + (COM2)	2	RS232 RXD (COM1)	3	RS232 TXD (COM1)	4	RS422 RXD+ (COM2)	5	SG	6	RS422 TXD- / RS485 - (COM2)	7	N/A	8	N/A	9	RS422 RXD- (COM2)
	Pin	Description																						
	1	RS422 TXD+ / RS485 + (COM2)																						
2	RS232 RXD (COM1)																							
3	RS232 TXD (COM1)																							
4	RS422 RXD+ (COM2)																							
5	SG																							
6	RS422 TXD- / RS485 - (COM2)																							
7	N/A																							
8	N/A																							
9	RS422 RXD- (COM2)																							
30ST	COM1 & COM2 & COM3 DB-9-Female / DB-9 母座 / DB-9 母座		<table border="1"> <thead> <tr> <th>Pin</th> <th>Description</th> </tr> </thead> <tbody> <tr><td>1</td><td>RS422 TXD+ / RS485 + (COM2)</td></tr> <tr><td>2</td><td>RS232 RXD (COM1)</td></tr> <tr><td>3</td><td>RS232 TXD (COM1)</td></tr> <tr><td>4</td><td>RS422 RXD+ (COM2)</td></tr> <tr><td>5</td><td>SG</td></tr> <tr><td>6</td><td>RS422 TXD- / RS485 - (COM2)</td></tr> <tr><td>7</td><td>RS485 - (COM3)</td></tr> <tr><td>8</td><td>RS485 + (COM3)</td></tr> <tr><td>9</td><td>RS422 RXD- (COM2)</td></tr> </tbody> </table>	Pin	Description	1	RS422 TXD+ / RS485 + (COM2)	2	RS232 RXD (COM1)	3	RS232 TXD (COM1)	4	RS422 RXD+ (COM2)	5	SG	6	RS422 TXD- / RS485 - (COM2)	7	RS485 - (COM3)	8	RS485 + (COM3)	9	RS422 RXD- (COM2)	
Pin	Description																							
1	RS422 TXD+ / RS485 + (COM2)																							
2	RS232 RXD (COM1)																							
3	RS232 TXD (COM1)																							
4	RS422 RXD+ (COM2)																							
5	SG																							
6	RS422 TXD- / RS485 - (COM2)																							
7	RS485 - (COM3)																							
8	RS485 + (COM3)																							
9	RS422 RXD- (COM2)																							
40ST (選購/選購/ Optional)	COM1 & COM2 & COM3 & COM4 DB-9-Female / DB-9 母座 / DB-9 母座		<table border="1"> <thead> <tr> <th>Pin</th> <th>Description</th> </tr> </thead> <tbody> <tr><td>1</td><td>RS485 + (COM2)</td></tr> <tr><td>2</td><td>RS232 RXD (COM1)</td></tr> <tr><td>3</td><td>RS232 TXD (COM1)</td></tr> <tr><td>4</td><td>RS485 + (COM4)</td></tr> <tr><td>5</td><td>SG</td></tr> <tr><td>6</td><td>RS485 - (COM2)</td></tr> <tr><td>7</td><td>RS485 - (COM3)</td></tr> <tr><td>8</td><td>RS485 + (COM3)</td></tr> <tr><td>9</td><td>RS485 - (COM4)</td></tr> </tbody> </table>	Pin	Description	1	RS485 + (COM2)	2	RS232 RXD (COM1)	3	RS232 TXD (COM1)	4	RS485 + (COM4)	5	SG	6	RS485 - (COM2)	7	RS485 - (COM3)	8	RS485 + (COM3)	9	RS485 - (COM4)	
Pin	Description																							
1	RS485 + (COM2)																							
2	RS232 RXD (COM1)																							
3	RS232 TXD (COM1)																							
4	RS485 + (COM4)																							
5	SG																							
6	RS485 - (COM2)																							
7	RS485 - (COM3)																							
8	RS485 + (COM3)																							
9	RS485 - (COM4)																							

5

_A2070 & _A2100 & _K2070 & _K2100	30RT (選購/選購/ Optional)	COM1 & COM2 & COM3 DB-9-Female / DB-9 母座 / DB-9 母座		<table border="1"> <thead> <tr> <th>Pin</th> <th>Description</th> </tr> </thead> <tbody> <tr><td>1</td><td>RS422 TXD+ / RS485 + (COM2)</td></tr> <tr><td>2</td><td>RS232 RXD (COM1)</td></tr> <tr><td>3</td><td>RS232 TXD (COM1)</td></tr> <tr><td>4</td><td>RS422 RXD+ (COM2)</td></tr> <tr><td>5</td><td>SG</td></tr> <tr><td>6</td><td>RS422 TXD- / RS485 - (COM2)</td></tr> <tr><td>7</td><td>RS232 TXD (COM3)</td></tr> <tr><td>8</td><td>RS232 RXD (COM3)</td></tr> <tr><td>9</td><td>RS422 RXD- (COM2)</td></tr> </tbody> </table>	Pin	Description	1	RS422 TXD+ / RS485 + (COM2)	2	RS232 RXD (COM1)	3	RS232 TXD (COM1)	4	RS422 RXD+ (COM2)	5	SG	6	RS422 TXD- / RS485 - (COM2)	7	RS232 TXD (COM3)	8	RS232 RXD (COM3)	9	RS422 RXD- (COM2)
	Pin	Description																						
	1	RS422 TXD+ / RS485 + (COM2)																						
2	RS232 RXD (COM1)																							
3	RS232 TXD (COM1)																							
4	RS422 RXD+ (COM2)																							
5	SG																							
6	RS422 TXD- / RS485 - (COM2)																							
7	RS232 TXD (COM3)																							
8	RS232 RXD (COM3)																							
9	RS422 RXD- (COM2)																							
40RT (選購/選購/ Optional)	COM1 & COM2 & COM3 & COM4 DB-9-Female / DB-9 母座 / DB-9 母座		<table border="1"> <thead> <tr> <th>Pin</th> <th>Description</th> </tr> </thead> <tbody> <tr><td>1</td><td>RS485 + (COM2)</td></tr> <tr><td>2</td><td>RS232 RXD (COM1)</td></tr> <tr><td>3</td><td>RS232 TXD (COM1)</td></tr> <tr><td>4</td><td>RS485 + (COM4)</td></tr> <tr><td>5</td><td>SG</td></tr> <tr><td>6</td><td>RS485 - (COM2)</td></tr> <tr><td>7</td><td>RS232 TXD (COM3)</td></tr> <tr><td>8</td><td>RS232 RXD (COM3)</td></tr> <tr><td>9</td><td>RS485 - (COM4)</td></tr> </tbody> </table>	Pin	Description	1	RS485 + (COM2)	2	RS232 RXD (COM1)	3	RS232 TXD (COM1)	4	RS485 + (COM4)	5	SG	6	RS485 - (COM2)	7	RS232 TXD (COM3)	8	RS232 RXD (COM3)	9	RS485 - (COM4)	
Pin	Description																							
1	RS485 + (COM2)																							
2	RS232 RXD (COM1)																							
3	RS232 TXD (COM1)																							
4	RS485 + (COM4)																							
5	SG																							
6	RS485 - (COM2)																							
7	RS232 TXD (COM3)																							
8	RS232 RXD (COM3)																							
9	RS485 - (COM4)																							
20QT	COM1 & COM2 DB-9-Female / DB-9 母座 / DB-9 母座		<table border="1"> <thead> <tr> <th>Pin</th> <th>Description</th> </tr> </thead> <tbody> <tr><td>1</td><td>RS485 + (COM2)</td></tr> <tr><td>2</td><td>RS232 RXD (COM1)</td></tr> <tr><td>3</td><td>RS232 TXD (COM1)</td></tr> <tr><td>4</td><td>N/A</td></tr> <tr><td>5</td><td>SG</td></tr> <tr><td>6</td><td>RS485 - (COM2)</td></tr> <tr><td>7</td><td>N/A</td></tr> <tr><td>8</td><td>N/A</td></tr> <tr><td>9</td><td>N/A</td></tr> </tbody> </table>	Pin	Description	1	RS485 + (COM2)	2	RS232 RXD (COM1)	3	RS232 TXD (COM1)	4	N/A	5	SG	6	RS485 - (COM2)	7	N/A	8	N/A	9	N/A	
Pin	Description																							
1	RS485 + (COM2)																							
2	RS232 RXD (COM1)																							
3	RS232 TXD (COM1)																							
4	N/A																							
5	SG																							
6	RS485 - (COM2)																							
7	N/A																							
8	N/A																							
9	N/A																							
30QT (選購/選購/ Optional)	COM1 & COM2 & COM3 DB-9-Female / DB-9 母座 / DB-9 母座		<table border="1"> <thead> <tr> <th>Pin</th> <th>Description</th> </tr> </thead> <tbody> <tr><td>1</td><td>RS485 + (COM2)</td></tr> <tr><td>2</td><td>RS232 RXD (COM1)</td></tr> <tr><td>3</td><td>RS232 TXD (COM1)</td></tr> <tr><td>4</td><td>N/A</td></tr> <tr><td>5</td><td>SG</td></tr> <tr><td>6</td><td>RS485 - (COM2)</td></tr> <tr><td>7</td><td>RS232 TXD (COM3)</td></tr> <tr><td>8</td><td>RS232 RXD (COM3)</td></tr> <tr><td>9</td><td>N/A</td></tr> </tbody> </table>	Pin	Description	1	RS485 + (COM2)	2	RS232 RXD (COM1)	3	RS232 TXD (COM1)	4	N/A	5	SG	6	RS485 - (COM2)	7	RS232 TXD (COM3)	8	RS232 RXD (COM3)	9	N/A	
Pin	Description																							
1	RS485 + (COM2)																							
2	RS232 RXD (COM1)																							
3	RS232 TXD (COM1)																							
4	N/A																							
5	SG																							
6	RS485 - (COM2)																							
7	RS232 TXD (COM3)																							
8	RS232 RXD (COM3)																							
9	N/A																							

6

The products have been designed for use in an industrial environment in compliance with the 2014/30/EU directive.

本產品適用於工業環境並符合2014/30/EU 標準 / 本產品适用于工业环境并符合2014/30/EU标准

The products have been designed in compliance with:

本產品符合以下標準: / 本產品符合以下标准:

- EN 61000-6-4: 2007 +A1: 2011
- EN 61000-3-2: 2014
- EN 61000-3-3: 2013
- EN 61000-6-2: 2005 / AC: 2005

IEC 61000-4-2: 2008; IEC 61000-4-3: 2006 + A1: 2007 +A2: 2010;
IEC 61000-4-4: 2012; IEC 61000-4-5: 2014 + A1: 2017; IEC 61000-4-6: 2013;
IEC 61000-4-8: 2009; IEC 61000-4-11: 2004 + A1: 2017

The installation of these devices into the residential, commercial and light-industrial environments is allowed only in the case that special measures are taken in order to get the conformity to IEC-61000-6-3

本產品若要安裝於住宅; 商業及輕工業的環境時, 必須加測特殊檢驗以符合IEC-61000-6-3 / 本產品若要安裝于住宅; 商业及轻工业的环境时, 必须加测特殊检验以符合IEC-61000-6-3

Reproduction of the contents of this copyrighted document, in whole or part without written permission of Cermate Technologies Inc., is prohibited. \

本文件內容版權為Cermate Technologies Inc.所有, 非經本公司同意, 請勿自行重製、拷貝或修正文件內容
本文件内容版权为Cermate Technologies Inc.所有, 非经本公司同意, 请勿自行重制、拷贝或修正文件内容

7