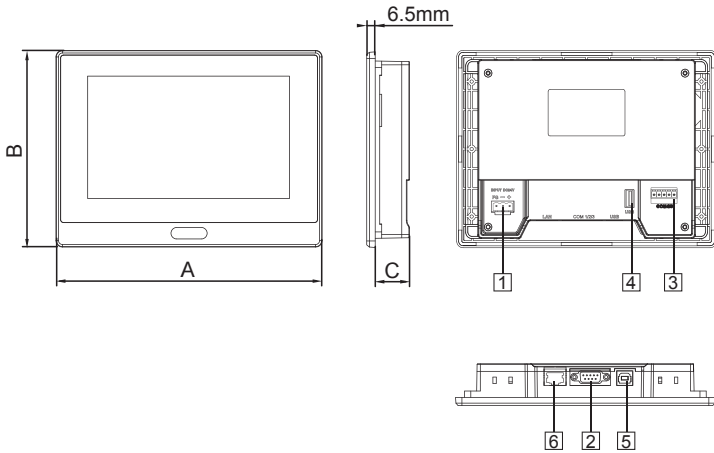


## PK2070(B) & WallMount Set / PK2070(B) & WallMount Set 嵌壁式人機介面套組 / PK2070(B) & WallMount Set 嵌壁式人機界面套組 /

### Outlet Dimension / 外觀尺寸 / 外观尺寸

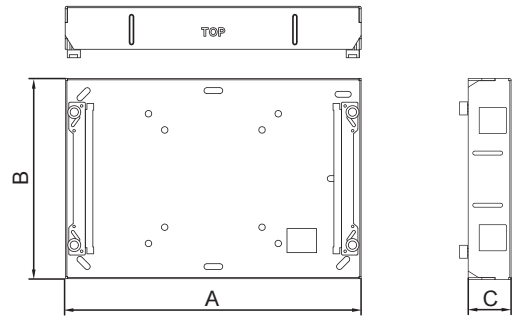
#### 1. 7 Inch HMI Panel / 7吋人機 / 7吋人机 (PK2070-51WT-M1Q1 & PK2070-51RT-M1Q1)



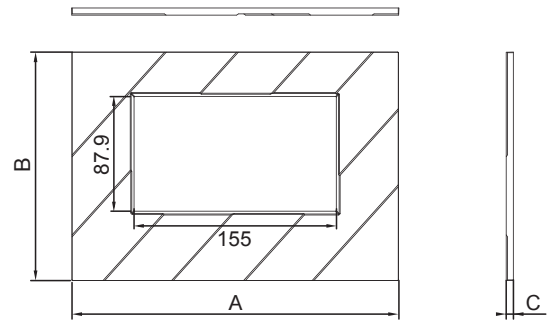
- 1 Power Connector / 電源端子 / 电源端子
- 2 COM1&2&3 9Pin Female / COM1&2&3 9Pin 母座 / COM1&2&3 9Pin 母座
- 3 COM4&5 5Pin Terminal / COM4&5 5Pin 端子台 / COM4&5 5Pin 端子台
- 4 USB Host / USB 主接口 / USB 主接口
- 5 USB Client / USB 從接口 / USB 從接口
- 6 Ethernet Port / 乙太網路接口 / 以太网网络接口

1

#### 3. Wall Mount Metal Case / 嵌壁鐵殼 / 嵌壁铁壳 (For WallMount Set / WallMount Set 嵌壁式人機套組專用 / WallMount Set 嵌壁式人機套組專用)



#### 4. Front Bezel / 前飾板 / 前饰板 (For WallMount Set / WallMount Set 嵌壁式人機套組專用 / WallMount Set 嵌壁式人機套組專用)



(page 3 for dimension / 詳細尺寸請看第三頁 / 详细尺寸请看第三頁)

2

ITEM / 項目 / 项目	A	B	C
1. PK2070-51WT-M1Q1 / 人機 / 人机*	204.4mm/8.05"	151mm/5.94"	26.52mm/1.04"
2. PK2070-51WT-M1Q1 CutOut / 人機開孔 / 人机开孔*	191.5mm/7.54"	138mm/5.43"	
3. WallMount Fixed Kit / 嵌壁鐵殼 / 嵌壁铁壳	227.7mm/8.96"	154.3mm/6.07"	43mm/1.69"
4. Front Bezel / 前飾板 / 前饰板	250mm/9.84"	175mm/6.89"	6mm/0.24"

\*PK2070-51RT-M1Q1 (選購/选购/Optional)

WallMount Set CutOut (Fixed Kit) /  
WallMount Set 嵌壁式人機開孔尺寸(鐵殼) /  
WallMount Set 嵌壁式人機开孔尺寸(铁壳):  
228.2 x 154.8 x 43mm

### Pin Assignment / 腳位圖 / 脚位图

PK2070	Model	COM1 & COM2 & COM3 DB-9-Female / DB-9 母座 / DB-9 母座	Pin Description																				
PK2070	51WT/ 51RT		<table border="1"> <thead> <tr> <th>Pin</th> <th>Description</th> </tr> </thead> <tbody> <tr><td>1</td><td>RS422 TXD+ / RS485 + (COM2)</td></tr> <tr><td>2</td><td>RS232 RXD (COM1)</td></tr> <tr><td>3</td><td>RS232 TXD (COM1)</td></tr> <tr><td>4</td><td>RS422 RXD+ (COM2)</td></tr> <tr><td>5</td><td>SG</td></tr> <tr><td>6</td><td>RS422 TXD- / RS485 - (COM2)</td></tr> <tr><td>7</td><td>RS485 - (COM3)</td></tr> <tr><td>8</td><td>RS485 + (COM3)</td></tr> <tr><td>9</td><td>RS422 RXD- (COM2)</td></tr> </tbody> </table>	Pin	Description	1	RS422 TXD+ / RS485 + (COM2)	2	RS232 RXD (COM1)	3	RS232 TXD (COM1)	4	RS422 RXD+ (COM2)	5	SG	6	RS422 TXD- / RS485 - (COM2)	7	RS485 - (COM3)	8	RS485 + (COM3)	9	RS422 RXD- (COM2)
	Pin	Description																					
	1	RS422 TXD+ / RS485 + (COM2)																					
2	RS232 RXD (COM1)																						
3	RS232 TXD (COM1)																						
4	RS422 RXD+ (COM2)																						
5	SG																						
6	RS422 TXD- / RS485 - (COM2)																						
7	RS485 - (COM3)																						
8	RS485 + (COM3)																						
9	RS422 RXD- (COM2)																						
51WT	COM4 & COM5 5 Pin Terminal / 5 Pin 端子接頭 / 5 Pin 端子接头		<table border="1"> <thead> <tr> <th>Pin</th> <th>Description</th> </tr> </thead> <tbody> <tr><td>3</td><td>RS-485(COM4)</td></tr> <tr><td>4</td><td>RS-485(COM5)</td></tr> </tbody> </table>	Pin	Description	3	RS-485(COM4)	4	RS-485(COM5)														
Pin	Description																						
3	RS-485(COM4)																						
4	RS-485(COM5)																						
51RT (選購/选购/ Optional)	COM4 & COM5 5 Pin Terminal / 5 Pin 端子接頭 / 5 Pin 端子接头		<table border="1"> <thead> <tr> <th>Pin</th> <th>Description</th> </tr> </thead> <tbody> <tr><td>3</td><td>RS-485(COM4)</td></tr> <tr><td>4</td><td>RS-232(COM5)</td></tr> </tbody> </table>	Pin	Description	3	RS-485(COM4)	4	RS-232(COM5)														
Pin	Description																						
3	RS-485(COM4)																						
4	RS-232(COM5)																						

### Dispose of batteries / 電池處置 / 电池处置

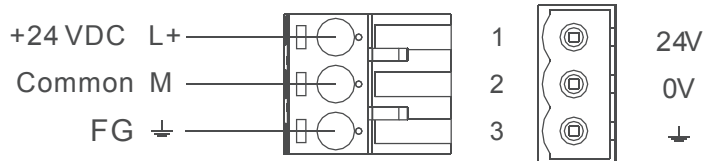


Dispose of batteries according to local regulations.  
廢棄電池的處置請依據使用者所在地區之規範辦理廢棄電池處置方式。 /  
废弃电池的处置请依据使用者所在地对废弃电池处置方式办理。

3

### Power Supply / 電源供應 / 电源供应

⚠ Powered by a Low Voltage / Limited Energy power source.  
以低電壓提供電力/限制能源電源 / 以低电压提供电力/限制能源电源



⚠ Do not open the rear cover of the panel when power is applied.  
電源送電時請勿開啟後殼 / 电源送电时请勿开启后壳

⚠ Be sure that the power supply has enough power capacity for the operation of the equipment.  
送電時請確定電源設備的電源能力符合產品硬體規範。  
送电时请确定电源设备的电源能力符合产品硬件规范。


· PK2070-51WT-M1Q1 / PK2070-51RT-M1Q1 : 24VDC±10% / 0.8A

4

## WallMount Set Fixed Kit Installation Drawing /

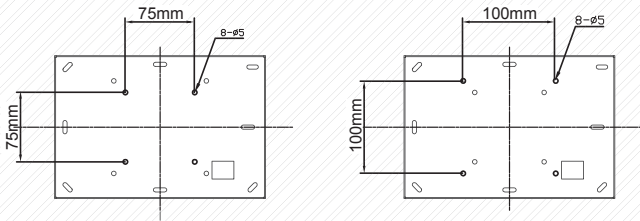
### WallMount Set 嵌壁式人機套組安裝示意圖 /

### WallMount Set 嵌壁式人機套組安裝示意圖

 Please download documents from our website for more detail installation/  
詳細安裝尺寸圖請至本公司網站下載 / 詳細安裝尺寸圖請至本公司網站下載

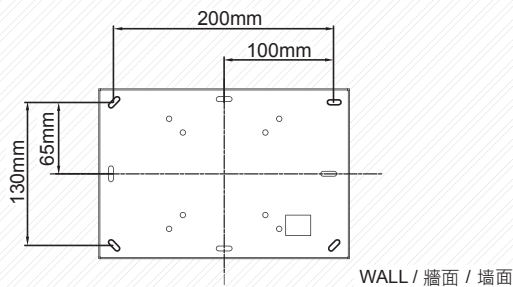
#### STEP1. Install Wall Mount Metal Case / 安裝嵌壁鐵殼 / 安裝嵌壁鐵壳

- Method 1: Fasten Screws Though VESA 75mm/100mm Standard / 方式1：透過標準 VESA 75mm / 100mm 孔洞鎖螺絲 / 方式1：透过标准 VESA 75mm / 100mm 孔洞锁螺丝



WALL / 牆面 / 牆面

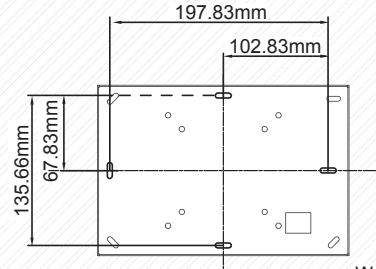
- Method 2: Fasten Screws Though Four Corners from Matel Case / 方式2：透過鐵殼四角孔洞鎖螺絲 / 方式2：透过铁壳四角孔洞锁螺丝



WALL / 牆面 / 牆面

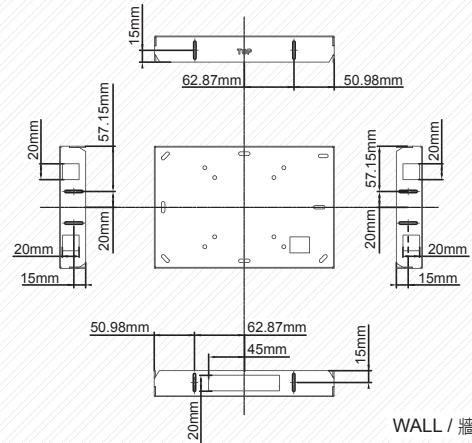
5

- Method 3: Fasten Screws Though Cross Holes from Matel Case / 透過鐵殼十字孔洞鎖螺絲 / 透过铁壳十字孔洞锁螺丝



WALL / 牆面 / 牆面

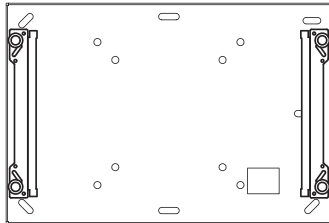
- Method 4: Fasten Screws Though Left & Right Holes from Matel Case / 透過鐵殼左右孔洞鎖螺絲 / 透过铁壳左右孔洞锁螺丝
- Method 5: Fasten Screws Though Top & Down Holes from Matel Case / 透過鐵殼上下孔洞鎖螺絲 / 透过铁壳上下孔洞锁螺丝



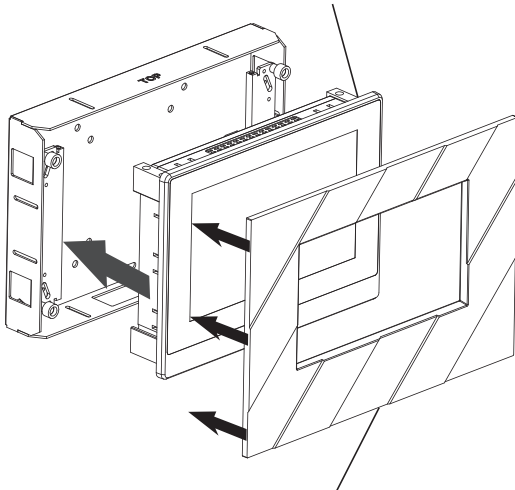
WALL / 牆面 / 牆面

6

#### STEP2. Put Back White Iron Sheets into Wall Mount Matel Case / 將滑軌鐵片置回嵌牆鐵殼 / 將滑軌铁片置回嵌墙铁壳



#### STEP3. Put Machine into Wall Mount Matel Case (Machine has to align the wall) / 將人機置入嵌牆鐵殼(人機和牆面切齊) / 将人機置入嵌墙铁壳(人機和牆面切齊)



#### STEP4. Put On the Front Bezel / 放上前飾板 / 放上前饰板

7

## Battery Replacement Installation /

### 替代電池安裝說明 / 替代電池安装说明

(For PK2070-51WT & PK2070-51RT / 適用於PK2070-51WT & PK2070-51RT / 适用于PK2070-51WT & PK2070-51RT)

Please scan QR Code to download the installation guide. / 請掃描QR Code下載說明文件 / 请扫描QR Code下载说明文件

- Note: It will affect the product warranty, if open the rear cover and damage the "Void if torn" Warranty label. Please contact us for details. / 注意：若於產品保固期限內自行開啟產品後殼造成「撕毀保固無效」貼紙損毀將會影響產品保固。相關保固問題請跟本公司聯絡詢問 / 注意：若于产品保固期限内自行开启产品后壳造成「撕毁保固无效」贴纸损毁将会影响产品保固。相关保固问题请跟本公司联络询问



<https://reurl.cc/o9WZqM>

The products have been designed for use in an industrial environment in compliance with the 2014/30/EU directive. 本產品適用於工業環境並符合2014/30/EU 標準 / 本产品适用于工业环境并符合2014/30/EU 标准

The products have been designed in compliance with: 本產品符合以下標準： / 本产品符合以下标准：

- EN 61000-6-4: 2007 + A1: 2011
- EN 61000-3-2: 2014
- EN 61000-3-3: 2013
- EN 61000-6-2: 2005 / AC: 2005

IEC 61000-4-2: 2008; IEC 61000-4-3: 2006 + A1: 2007 + A2: 2010;  
IEC 61000-4-4: 2012; IEC 61000-4-5: 2014 + A1: 2017; IEC 61000-4-6: 2013;  
IEC 61000-4-8: 2009; IEC 61000-4-11: 2004 + A1: 2017

The installation of these devices into the residential, commercial and light-industrial environments is allowed only in the case that special measures are taken in order to get the conformity to IEC-61000-6-3 本產品若要安裝於住宅；商業及輕工業的環境時，必須加測特殊檢驗以符合IEC-61000-6-3 / 本产品若要安装于住宅；商业及轻工业的环境时，必须加测特殊检验以符合IEC-61000-6-3

Reproduction of the contents of this copyrighted document, in whole or part without written permission of Cermate Technologies Inc., is prohibited. 本文件內容版權為Cermate Technologies Inc.所有，非經本公司同意，請勿自行重製、拷貝或修正文件內容 本文件内容版权为Cermate Technologies Inc.所有，非经本公司同意，请勿自行重制、拷贝或修正文件内容

8